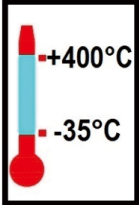
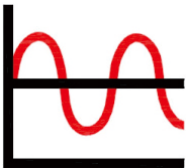
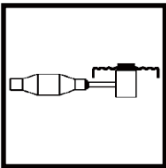
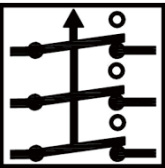

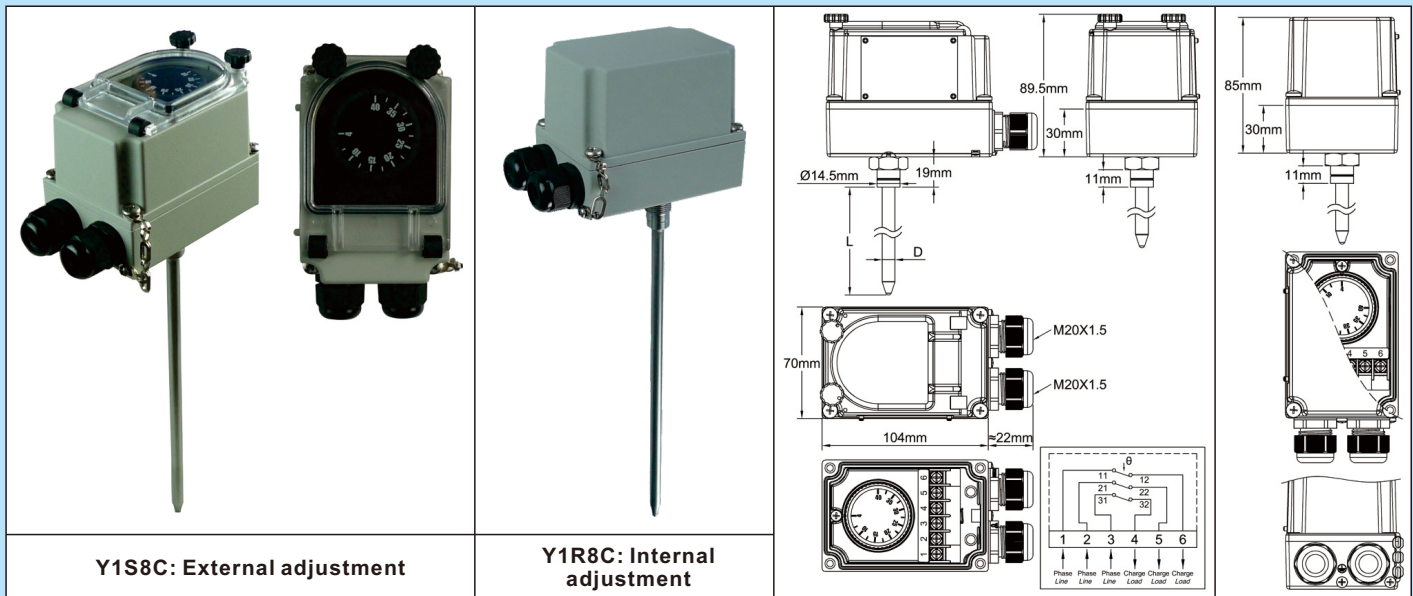


3 pole rod thermostats, temperature control

Enclosure	Type	Operation	Contact	Measurement	Ranges °C	Models
IP65, IK10	Control	Mechanical	3PST	Rod		Y1S8C & Y1R8C
Material						
Aluminum						



Applications

These **liquid expansion** rod thermostats can be installed inside pockets as immersion thermostats in pipelines and containers, and to control temperature in air ducts, in usual industrial application and environment, on 3 phase heating circuits (Not suitable for hazardous areas).

- Internal adjustment is convenient for products that must not be frequently adjusted.

- Insensibility to strong vibrations

Housing: Aluminum, IP65, IK10. Grey RAL7032 epoxy painting. Stainless steel captive cover screws. Captive aluminum lid.

Set point adjustment ranges: -35+35°C (-30+95°F); -10+40°C (15-105°F); 4-40°C (40-105°F); 0-60°C (32-140°F); 0-90°C (32-195°F); 30-90°C (85-195°F); 30-110°C (85-230°F); 50-200°C (120-390°F); 50-300°C (120-570°F); 100-400°C (210-750°F).

Set point adjustment: By °C printed knob. All types have an adjustable rotation limit system located inside the knob that allows reducing the set point adjustment span. Types with external adjustment have a transparent window. This device allows seeing the pilot light and the knob position. °F values are available in option.

Action: Temperature control, On-Off action

Sensing element: Liquid expansion rod. This rod has a non-temperature sensing zone named dead zone which allows thermal insulation crossing. An increased diameter under the thermostat head allows mounting pockets, coolers or brackets (See pockets in the accessories section)

Electrical connections: Inside, on screw terminal connection block

Earthing: External screw terminal.

Cable input and output: Two M20 cable gland, Black PA66.

Identification: Metallic identification label, riveted.

Contact: 3PST, open on temperature rise

Electrical rating, resistive loads:

16A 250V, 50 ~60Hz: >100000 cycles,

20A 250V, 50 ~60Hz: ≥ 50000 cycles,

10A 400V, 50 ~60Hz: ≥ 50000 cycles.

Minimum Storage temperature: -35°C (-30°F)

Maximum ambient temperature: 60°C (140°F)

For more technical information see 8C thermostat technical data sheet

3 pole rod thermostats, temperature control

(P2)

Main references*

Temperature range °C (°F)	Reference with external adjustment	Reference with internal adjustment	Rod length *(L, mm)	Rod diameter (D, mm)	Temperature sensing length(mm)	Differential °C (°F)	Max temperature on rod °C (°F)
-35+35°C (-30+95°F)	Y1S8C5035AO1023J	Y1R8C5035AO1023J	230	10	140	1,6±1°C (2,9±2°F)	60°C (140°F)
-35+35°C (-30+95°F)	Y1S8C5035AO1030J	Y1R8C5035AO1030J	300	10	140	1,6±1°C (2,9±2°F)	60°C (140°F)
-10+40°C (15-105°F)	Y1S8C0040AO1023J	Y1R8C0040AO1023J	230	10	140	1,5±1°C (2,7±2°F)	70°C (158°F)
-10+40°C (15-105°F)	Y1S8C0040AO1030J	Y1R8C0040AO1030J	300	10	140	1,5±1°C (2,7±2°F)	70°C (158°F)
4-40°C (40-105°F)	Y1S8C4040AO1023J	Y1R8C4040AO1023J	230	10	140	1±0,5°C (1,8±1°F)	70°C (158°F)
4-40°C (40-105°F)	Y1S8C4040AO1030J	Y1R8C4040AO1030J	300	10	140	1±0,5°C (1,8±1°F)	70°C (158°F)
4-40°C (40-105°F)	Y1S8C4040AO1045J	Y1R8C4040AO1045J	450	10	140	1±0,5°C (1,8±1°F)	70°C (158°F)
0-60°C (32-140°F)	Y1S8C0060AO1023J	Y1R8C0060AO1023J	230	10	87	2,5±1°C (4,5±1,8F)	80°C (176°F)
0-60°C (32-140°F)	Y1S8C0060AO1030J	Y1R8C0060AO1030J	300	10	87	2,5±1°C (4,5±1,8F)	80°C (176°F)
0-60°C (32-140°F)	Y1S8C0060AO1045J	Y1R8C0060AO1045J	450	10	87	2,5±1°C (4,5±1,8F)	80°C (176°F)
0-60°C (32-140°F)	Y1S8C0060AO1060J	Y1R8C0060AO1060J	600	10	87	2,5±1°C (4,5±1,8F)	80°C (176°F)
0-90°C (32-195°F)	Y1S8C0090AO1023J	Y1R8C0090AO1023J	230	10	87	2,5±1°C (4,5±1,8F)	120°C (250°F)
0-90°C (32-195°F)	Y1S8C0090AO1030J	Y1R8C0090AO1030J	300	10	87	2,5±1°C (4,5±1,8F)	120°C (250°F)
0-90°C (32-195°F)	Y1S8C0090AO1045J	Y1R8C0090AO1045J	450	10	87	2,5±1°C (4,5±1,8F)	120°C (250°F)
0-90°C (32-195°F)	Y1S8C0090AO1060J	Y1R8C0090AO1060J	600	10	87	2,5±1°C (4,5±1,8F)	120°C (250°F)
30-90°C (85-195°F)	Y1S8C3090AO1023J	Y1R8C3090AO1023J	230	10	87	2,5±1°C (4,5±1,8F)	120°C (250°F)
30-90°C (85-195°F)	Y1S8C3090AO1030J	Y1R8C3090AO1030J	300	10	87	2,5±1°C (4,5±1,8F)	120°C (250°F)
30-90°C (85-195°F)	Y1S8C3090AO1045J	Y1R8C3090AO1045J	450	10	87	2,5±1°C (4,5±1,8F)	120°C (250°F)
30-90°C (85-195°F)	Y1S8C3090AO1060J	Y1R8C3090AO1060J	600	10	87	2,5±1°C (4,5±1,8F)	120°C (250°F)
30-110°C (85-230°F)	Y1S8C3110AO1023J	Y1R8C3110AO1023J	230	10	83	2,5±1°C (4,5±1,8F)	140°C (284°F)
30-110°C (85-230°F)	Y1S8C3110AO1030J	Y1R8C3110AO1030J	300	10	83	2,5±1°C (4,5±1,8F)	140°C (284°F)
30-110°C (85-230°F)	Y1S8C3110AO1045J	Y1R8C3110AO1045J	450	10	83	2,5±1°C (4,5±1,8F)	140°C (284°F)
30-110°C (85-230°F)	Y1S8C3110AO1060J	Y1R8C3110AO1060J	600	10	83	2,5±1°C (4,5±1,8F)	140°C (284°F)
50-200°C (120-390°F)	Y1S8C5200AO1023J	Y1R8C5200AO1023J	230	10	59	4±2°C (7±3.6F)	230°C (446°F)
50-200°C (120-390°F)	Y1S8C5200AO1030J	Y1R8C5200AO1030J	300	10	59	4±2°C (7±3.6F)	230°C (446°F)
50-200°C (120-390°F)	Y1S8C5200AO1045J	Y1R8C5200AO1045J	450	10	59	4±2°C (7±3.6F)	230°C (446°F)
50-200°C (120-390°F)	Y1S8C5200AO1060J	Y1R8C5200AO1060J	600	10	59	4±2°C (7±3.6F)	230°C (446°F)
50-300°C (120-570°F)	Y1S8C5300AO0823J	Y1R8C5300AO0823J	230	8	165	10°C±2°C (18±3.6F)	330°C (626°F)
50-300°C (120-570°F)	Y1S8C5300AO0830J	Y1R8C5300AO0830J	300	8	165	10°C±2°C (18±3.6F)	330°C (626°F)
50-300°C (120-570°F)	Y1S8C5300AO0845J	Y1R8C5300AO0845J	450	8	165	10°C±2°C (18±3.6F)	330°C (626°F)
50-300°C (120-570°F)	Y1S8C5300AO0860J	Y1R8C5300AO0860J	600	8	165	10°C±2°C (18±3.6F)	330°C (626°F)
100-400°C (210-750°F)	Y1S8CA400AO0823J	Y1R8CA400AO0823J	230	8	165	10°C±2°C (18±3.6F)	430°C (800°F)
100-400°C (210-750°F)	Y1S8CA400AO0830J	Y1R8CA400AO0830J	300	8	165	10°C±2°C (18±3.6F)	430°C (800°F)
100-400°C (210-750°F)	Y1S8CA400AO0845J	Y1R8CA400AO0845J	450	8	165	10°C±2°C (18±3.6F)	430°C (800°F)
100-400°C (210-750°F)	Y1S8CA400AO0860J	Y1R8CA400AO0860J	600	8	165	10°C±2°C (18±3.6F)	430°C (800°F)
100-500°C (210-930°F)	Y1S8CA500AN0830J	Y1R8CA500AN0830J	300	8	250	10°C±2°C (18±3.6F)	550°C (1000°F)
100-500°C (210-930°F)	Y1S8CA500AN0845J	Y1R8CA500AN0845J	450	8	250	10°C±2°C (18±3.6F)	550°C (1000°F)
100-500°C (210-930°F)	Y1S8CA500AN0860J	Y1R8CA500AN0860J	600	8	250	10°C±2°C (18±3.6F)	550°C (1000°F)

*F printing: replace last character (J) by K

*Above 200°C we recommend to use a rod cooler reference 66RF07015 or 66RF0701F12 between the rod and the enclosure (see accessories). Caution: This cooler reduces the usable rod length of 70mm

Knob printings

°C Printing				
-35+35°C	-10+40°C	4-40°C	0-60°C	0-90°C
30-90°C	30-110°C	50-200°C	50-300°C	100-400°C

°F Printing				
-30+95°F	15-105°F	40-105°F	30-140°F	30-195°F
85-195°F	85-230°F	120-390°F	120-570°F	210-750°F